

Series E300 Dielectric Flanged Pipe Fittings feature as a companion of steel flange to bronze flange. These fittings are designed to be installed between pipe made from dissimilar metals to prevent accelerated corrosion and deterioration in the piping system due to galvanic and stray current.

FEATURES

- Steel flange to Bronze flange.
- Flanged PN16 or ANSI 150.
- Designed and manufactured to the highest quality standards.
- Threaded Female NPT /Female BSPT /Solder Ends.

PRESSURE & TEMPERATURE

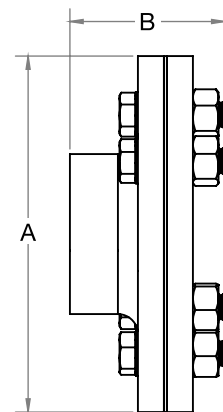
- Max. Working Pressure: 363 psi (25 bar)
- Max. Working Temperature: 120°C (248°F)

SPECIFICATIONS

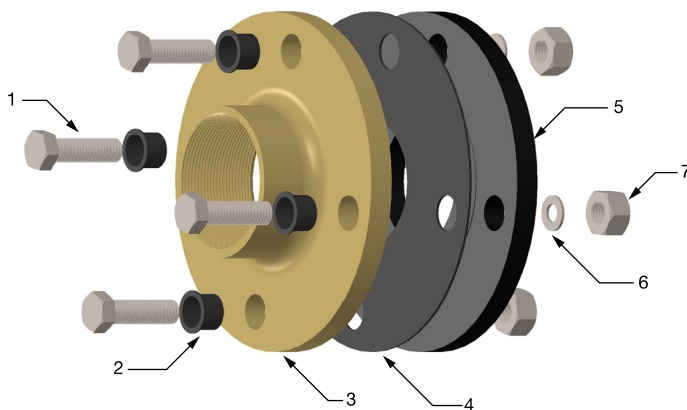
- Steel Flange PN16 or ANSI 150 with Female NPT or Female BSPT or Solder ends.
- Bronze Flange PN16 or ANSi 150 with Female NPT or Female BSPT or solder ends.
- EPDM Gasket, Gauge: 1/8”(3.18mm) for use in steam or hot water or cold water.

WEIGHT & DIMENSIONS

SIZE (DN)		A		B		WEIGHT	
IN.	MM	IN.	MM	IN.	MM	IN.	MM
2½	65	7	178	3½	89	12	5.4
3	80	7½	190	3¾	95	14	6.4
4	100	9	229	4¾	111	30	13.6
6	150	11	280	6	153	42	19.2



MATERIALS

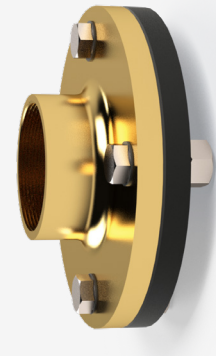


NO.	PART	MATERIAL
1	Bolt	Galvanized Steel
2	Bolt Insulators	ABS
3	Flange	Bronze
4	Gasket	Nylon Reinforced EPDM
5	Companion Flange	Steel
6	Washer	Galvanized Steel
7	Nut	Galvanized Steel

OPTIONS**DIELECTRIC FLANGE**

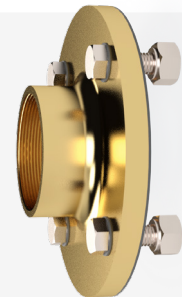
(Assembled c/w companion flange, gasket, bolt insulators, bolts/nuts/washers)

- E301 - Bronze Female NPT x Steel Female NPT
- E302 - Bronze Female BSPT x Steel Female BSPT
- E303 - Bronze Female NPT x Steel Weld End
- E304 - Bronze Female BSPT x Steel Weld End
- E304A - Bronze Female BSPT x Steel Welded Neck End
- E305 - Bronze Solder End x Steel Weld End
- E306 - Bronze Solder End x Steel Female NPT
- E307 - Bronze Solder End x Steel Female BSPT

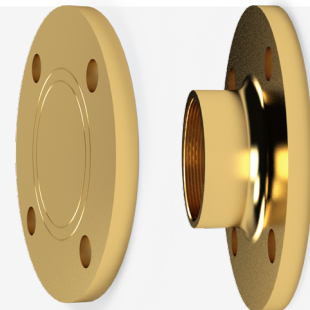
**DIELECTRIC FLANGE W/O COMPANION FLANGE**

(Assembled c/w gasket, bolt insulators, bolts/nuts/washers)

- E308 - Bronze Flange ANSI 150 or PN16 with Solder End
- E309 - Bronze Flange ANSI 150 or PN16 with Female BSPT End
- E310 - Bronze Flange ANSI 150 or PN16 with Female NPT End

**DIELECTRIC FLANGE (Flange only)**

- E311 - Bronze Flange ANSI 150 or PN16 with Solder End
- E312 - Bronze Flange ANSI 150 or PN16 with Female BSPT End
- E313 - Bronze Flange ANSI 150 or PN16 with Female NPT End
- E314 - Bronze Blind Flange ANSI 150 or PN16

**STAINLESS STEEL DIELECTRIC FLANGE**

(Assembled c/w companion flange, gasket, bolt insulators, bolts/nuts/washers)

- E315 - Stainless Steel Female NPT x Steel Female NPT
- E316 - Stainless Steel BSPT x Steel Female BSPT
- E317 - Stainless Steel NPT x Steel Weld End
- E318 - Stainless Steel BSPT x Steel Weld End



- Other options than above, available on request.

- The product image shown is for illustration purposes only and may not be an exact representation of the product.

Envotec® reserves the right to change or modify product design, construction, specifications or materials without prior notice and without incurring any obligation to make such changes and modifications on Envotec products previously or subsequently sold.